

**CONFINE** **ben** **malia** **SA**

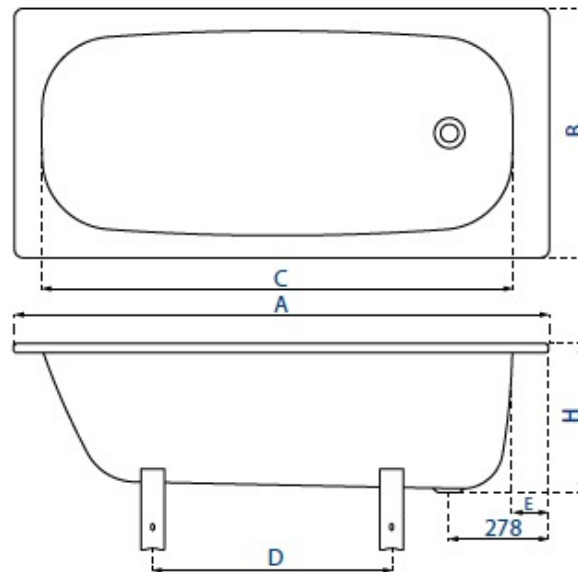
# rectangular enamelled bathtub without underpressing

TYPE	A	B	C	D	E	H	H(PZ)	1	2	3
W - 100	1000	700	860	395	70	360	355	1	2	3
W - 120	1200	700	1060	550	70	360	355	1	2	3
W - 140	1400	700	1220	620	100	390	385	1	2	3
W - 150	1500	700	1320	720	100	390	385	1	2	3
W - 160	1600	700	1424	800	100	390	385	1	2	3
W - 170	1700	700	1424	870	100	390	385	1	2	3

\* for other technical data and part numbers, see the ID pages

- ① without tap holes
- ② with two tap holes
- ③ with handles

NOTE: All dimensions in millimetres



## amela



# rectangular enamelled bathtub with underpressing

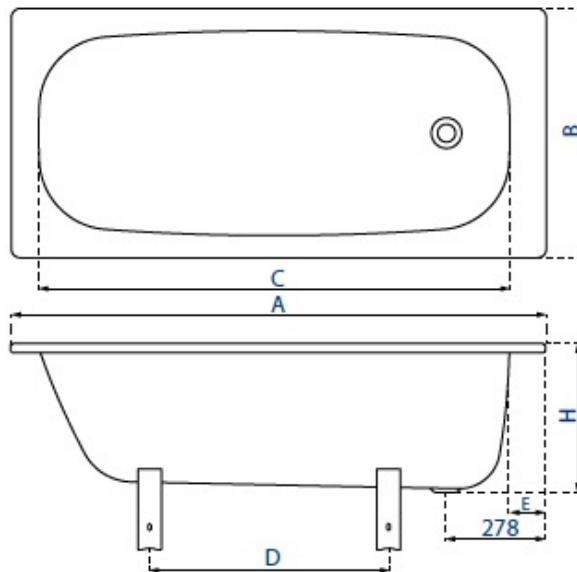
kati

TYPE	A	B	C	D	E	H	H(PZ)	1	2	3
W - 100	1000	700	860	395	70	360	355	1	2	3
W - 120	1200	700	1060	550	70	360	355	1	2	3
W - 140	1400	700	1220	620	100	390	385	1	2	3
W - 150	1500	700	1320	720	100	390	385	1	2	3
W - 160	1600	700	1424	800	100	390	385	1	2	3
W - 170	1700	700	1424	870	100	390	385	1	2	3

\* for other technical data and part numbers, see the ID pages

- ① without tap holes
- ② with two tap holes
- ③ with handles

NOTE: All dimensions in millimetres

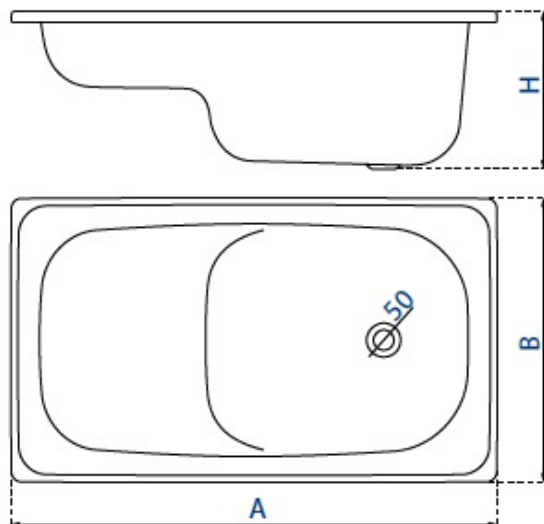


# steel enamelled bathtub with seat and underpressing

Available in versions with and without tap holes

LENGTH A	WIDTH B	HEIGHT H
1200	700	390

\* for other technical data and part numbers, see the ID pages



iga



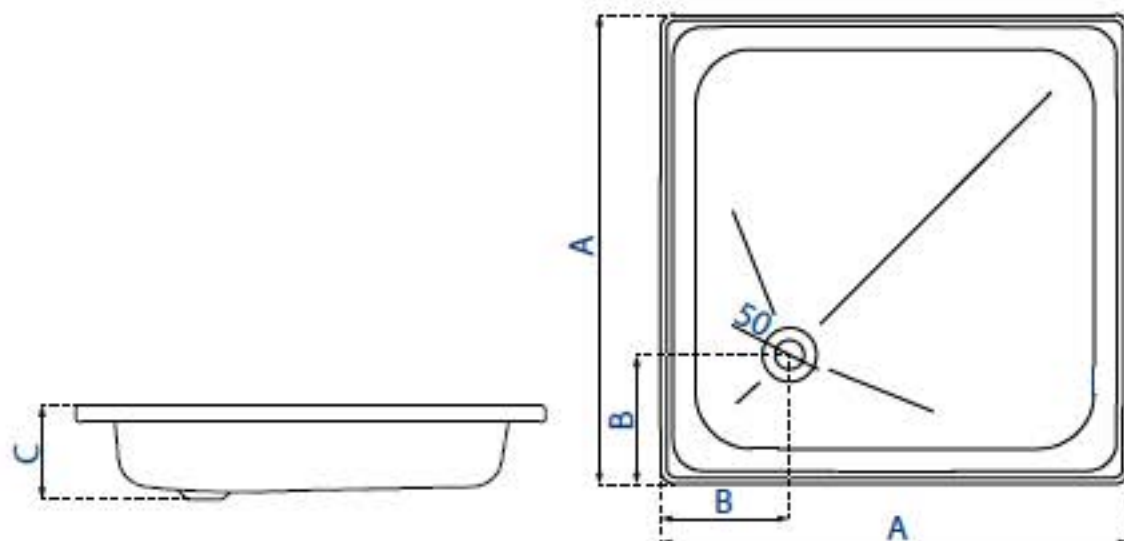
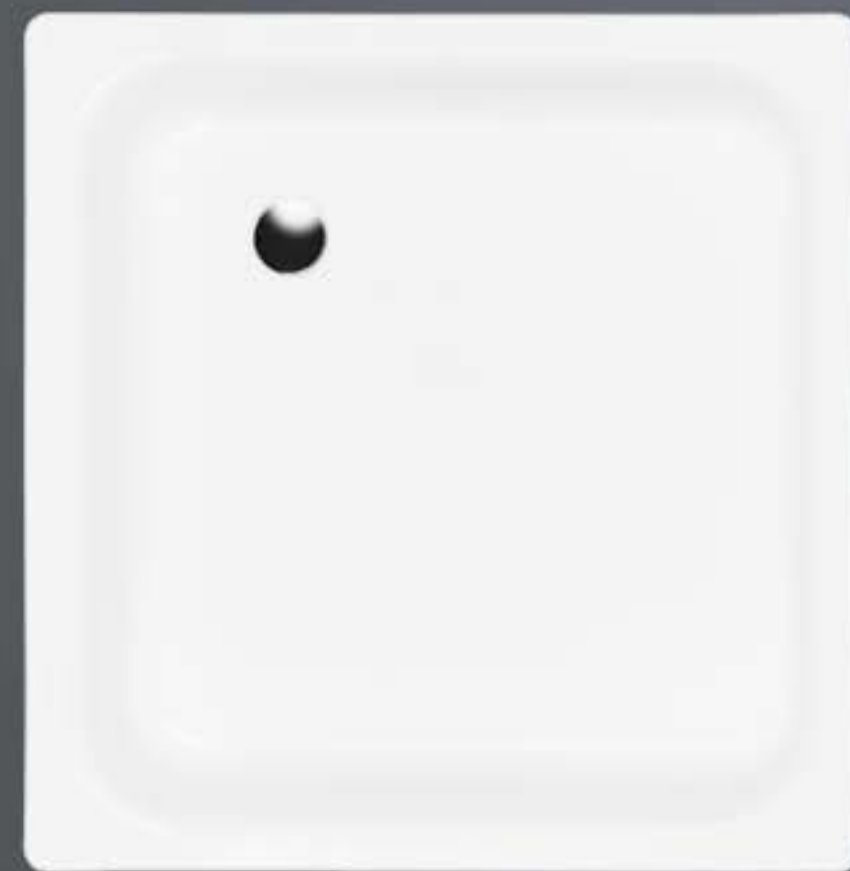
shower tray

mewa

Enamelled steel shower trays without non-slip surfaces without underpressings on rims, with an enamel coating that is resistant to scratches and abrasion, baked at a temperature of 850 °C. Steel thickness is 1.25 mm.

TYPE	A	B	C
700x700x80	700	160	80
700x700x120	700	160	120
700x700x160	700	150	160
800x800x120	800	220	120
800x800x165	800	220	165
800x800x280	800	220	280
800x800x55	800	220	55
900x900x120	900	220	120
900x900x160	900	220	160
900x900x280	900	220	280

\* for other technical data and part numbers, see the ID pages



# steel enamelled shower trays

Steel enamelled shower trays with or without non-slip surfaces with or without under-pressings on rims, with an enamel coating that is resistant to scratches and abrasion, baked at a temperature of 850 °C. Steel thickness is 1.25 mm.

bryza

TYPE	A	B	C
700x700x80	700	160	80
700x700x120	700	160	120
700x700x160	700	150	160
800x800x120	800	220	120
800x800x165	800	220	165
800x800x280	800	220	280
800x800x55	800	220	55
900x900x120	900	220	120
900x900x160	900	220	160
900x900x280	900	220	280

\* for other technical data and part numbers, see the ID pages

